



Nylon Brush Seals

If you're ready to draw the line at average and reach for better call us today.

To locate Steel-Line branches across Australia call: **1300 427 243** or visit steel-line.com.au

Description

Aluminium extrusion with a nylon brush seal. The nylon brush seal is rated as UL94-V2 and is suitable for use as ember protection and sealing garage doors as per AS3959.

Key Benefits

Easy to install onto new or existing doors.

Lengths

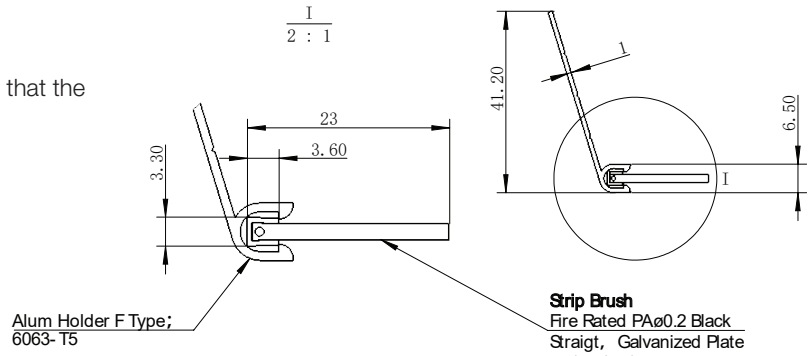
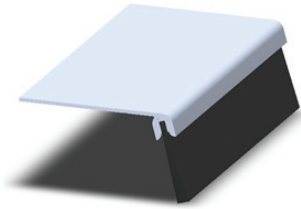
Comes in lengths of 2.5 m but can be cut and joined to suit any sized door.

Fixing Method

Self-drilling screws

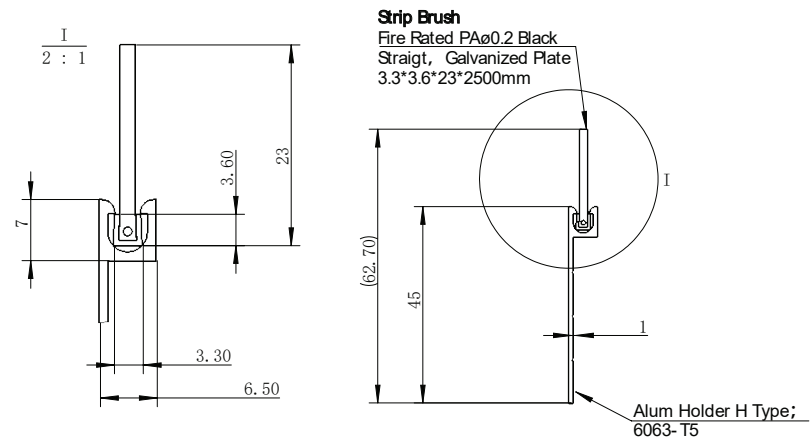
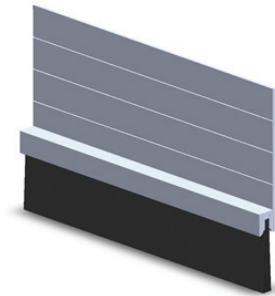
10-450-5010

- 18mm Brush
- F Type Aluminium Extrusion
- Attach to jamb and head of sectional doors so that the brush is in contact with the side of the door



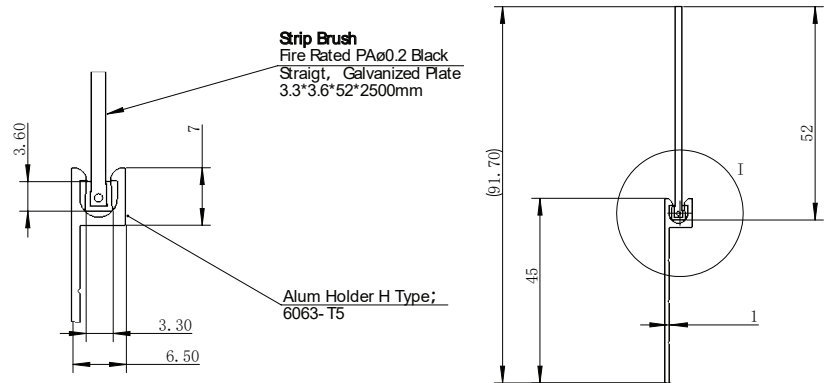
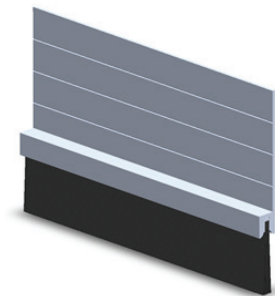
10-450-5012

- 18mm Brush
- H Type Aluminium Extrusion
- Attach to head of sectional doors



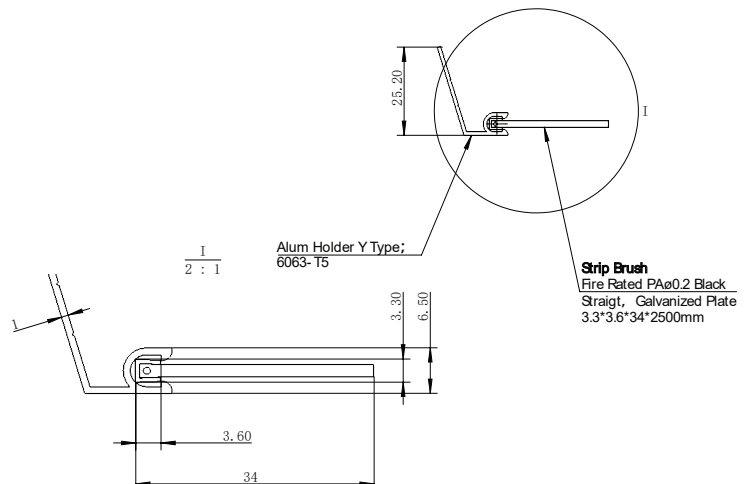
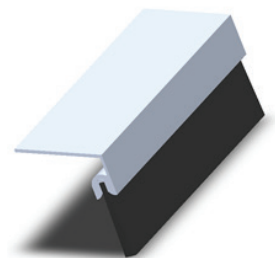
20-450-5015

- 46.5mm Brush
- H Type Aluminium Extrusion
- Attach to head of opening for roller doors



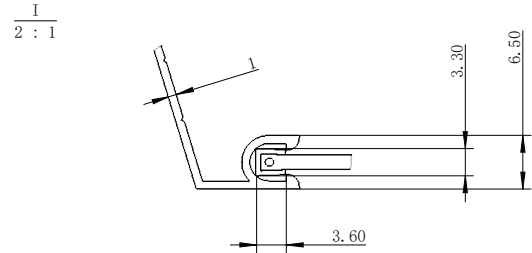
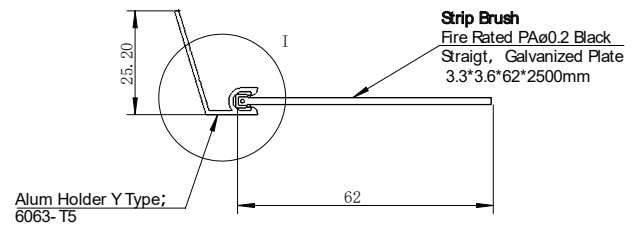
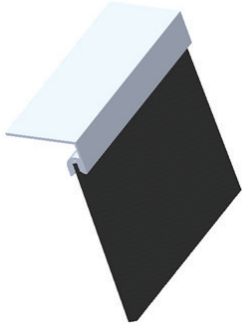
20-450-5010

- 30mm Brush
- Y Type Aluminium Extrusion
- Attach to Jamb of opening for roller doors



20-450-5020

- 60mm Brush
- Y Type Aluminium Extrusion
- Attach to head of opening for roller doors



20-450-5016

- 46mm Brush
- F Type Aluminium Extrusion
- Attach to jamb and head of roller doors so that the brush is in contact with the side of the door

