



Sectional Door Opener SD1500 Pro

**MORE POWER. MORE FEATURES.
MORE CONFIDENCE.**

**Experience the
PRO difference.**



Powerful

Take your garage to the next level with the new SD1500 Pro Sectional Door motor. We've boosted the power from 800N to a **robust 1500N**, giving you smoother, more reliable operation for even the heaviest doors.



Full Compatibility

Now with built-in F-linX Wi-Fi, it's never been easier to control your door remotely or integrate with your smart home setup. The Pro model is **fully compatible with all wireless accessories** (E-Lock, PE Beams and E-Door Connect), so expanding your system is effortless.



Extended Warranty

Enjoy complete confidence with an **7 year motor warranty** (SD1500 Pro - Chain Rail); and **5 year motor warranty** (SD1500 Pro - Belt Rail).

Key Benefits

Quality Tested

Proven technology coupled with robust design backed up by rigorous quality testing.

Soft Start/Stop Function

Ensures smooth and quiet operation, ideal when the garage is near bedrooms or living areas.

LED Courtesy Light

A convenient way to navigate through your garage environment and get in and out of your car (operates for 9 minutes).

Transmitter Range

Remote distance: Effective operating range of up to 100m. 433.92 MHz transmitter frequency.

Maintenance Reminder

This provides an audible reminder that the garage door is due for a service.

Standard Safety Features

Auto Safety Reverse

If an obstruction is detected while closing, the door will immediately stop and reverse upon contact with the obstruction. Complies with AS/NZ25 60335.2.95.

Auto Sensing Force

During operation the force required is constantly monitored and adjusted to ensure economical operation and reduced wear and tear.

Digital Limit System

Equipped with a digital limit system for ease of programming during installation.

Manual Release

In case of power failure you can simply activate the manual release to open your garage door.



Call 1300 427 243 | steel-line.com.au



SD1500 Pro Sectional Door Opener

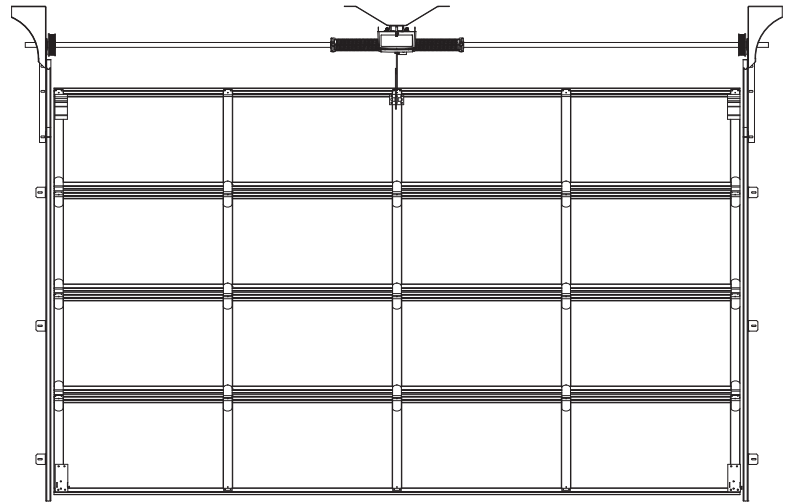
Kit Components



1 x Powerhead & Belt Rail (chain option available), 2 x Four Channel Transmitters, 1 x Wireless Wall Transmitter

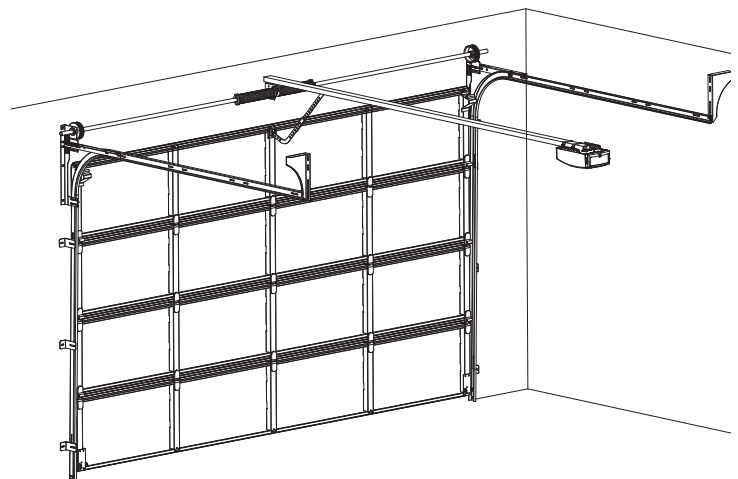
Specifications

- Max garage door size: 23m²
- Max door weight up to 250kg doors
- Max peak pulling force: 1500N
- Rolling code technology
- 433.92 MHz transmitter frequency
- Soft start / soft close
- Adjustable operating speed
- Belt drive up to 210 Kgs
- Chain drive from 210-250 Kgs
- Easy set up & remote coding
- Maintenance alarm
- Reversing system complies with AS/NZS 60335-2-95
- Built in F-inX Wi-Fi
- Wireless PE Beam and Wireless E-Lock compatibility
- E-Door Connect compatibility



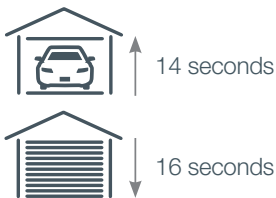
Max door weight: 250kg, Max door area: 23m²

Typical Installation - Sectional Door

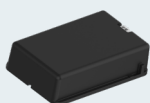


Door Opening and Closing Times

(based on a 2.3m high door)



Optional Home Enhancers



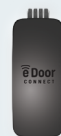
Battery Backup

A Battery Backup provides an energy supply in the event of a power outage, allowing you to continue operating your garage door.



Smart Camera

Add video services to your garage with a Smart Camera. Monitor your garage from anywhere in the world for free. Available as wired only.



E-Door Connect

The Smarter Garage Door Controller. Unlimited connectivity anywhere and anytime, the E-Door Connect opens up a whole new experience for convenience, safety and accessibility for everyone.



PE Beams

Allows the garage door to automatically reverse when its sensory light beam is broken by an obstruction, helping to protect your family from injury and your car from damage caused by contact. Available as wireless only.



E-Lock

The E-Lock enables remote control and status monitoring. When the doors is completely closed, the E-Lock automatically locks. Available as wireless only.