



SERIES 'A' ROLLER DOOR INSTALLATION GUIDE

***THESE INSTRUCTIONS ARE PROVIDED FOR THE
USE BY EXPERIENCED INSTALLERS OF
GARAGE DOORS***

***BY UNDERTAKING THE INSTALLATION OF THIS
DOOR, THE INSTALLER UNDERSTANDS THE
DANGERS ASSOCIATED WITH THE
INSTALLATION.***

***Steel-Line Garage Doors IS NOT RESPONSIBLE
FOR ANY AND ALL LIABILITY RESULTING IN THE
INJURY AND OR DEATH DERIVED FROM AN
IMPROPER INSTALLATION.***

CONTENTS

- GENERAL WARNING 3
 - SAFETY CHECK LIST 4
- PRE-INSTALLATION CHECKS 5
 - REQUIREMENTS 5
 - OPENING WIDTH 5
 - SIDE CLEARANCE 5
 - HEADROOM 5
 - STRUCTURAL CONDITION OF OPENING 6
 - FITTING NOTES 6
- INSTALLATION 7
 - 1.0 MARK DOOR POSITION 7
 - 2.0 INSTALL BRACKETS 7
 - 3.0 FIT DRIVE UNIT 8
 - 4.0 MOUNT DOOR CURTAIN TO BRACKETS 8
 - 5.0 CUT AND POSITION GUIDES 9
 - 6.0 POSITION THE DOOR 10
 - 7.0 ADJUST DOOR TENSION 11
 - 8.0 CONFIRM DOOR OPERATION 12
- POST INSTALLATION 13
 - 1.0 DIFFICULT TO OPERATE 13
 - 2.0 DIFFICULT TO CLOSE OR OPEN 13
 - 3.0 GUIDE/SHAFT RELATIONSHIP 13
 - 4.0 CONING 13
- APPENDIX A 14
- APPENDIX B 16

GENERAL WARNING



SPECIAL SAFETY WARNINGS OR REMARKS IN THIS MANUAL ARE INDICATED WITH THIS SYMBOL. PLEASE READ ALL WARNINGS CAREFULLY.

To install this door safely, several precautions must be taken. For the safety of all concerned, please pay attention to all warnings and instructions given below.

- Please read this installation manual completely prior to installation. It is very important to install this door per the manual to achieve proper and safe operation
- The Steel-Line Series 'A' roller doors are designed as light doors to suit a maximum opening of 3000mm High x 3430mm Wide and depending on size can weigh as much as 99kg (485lbs). The forces generated in the springs are generally equal to the door weight. Proper care must be taken not to release those forces violently as it could result in serious physical injury.
- All the components which have been supplied are designed for this specific roller door. Replacement or additional components may have an adverse effect on the performance, safety and the warranty of the door.
- Alterations to the spring tension should only take place when the door is in the open (up) position and undertaken by a trained installer.
- All instructions are given as if viewing the door from the **inside looking out**.

SAFETY CHECK LIST

Care must be taken to avoid any chance of risk of accidents or injury. Please check for the following hazards before and during installation.

General Housekeeping		
Checklist item	Yes/No	Correction
1	Is the site housekeeping safe to install a door?	
2	Is the area around the installation site free of obstruction?	
3	Have appropriate signage and notices around the site to keep work area clear of people been put in place?	
Manual Handling		
Checklist item	Yes/No	Correction
1	Are the correct lifting techniques for different sized doors available? i.e. doors above 2.5m wide will require a lifting device	
2	Are two people available for lifting operations?	
3	Are mechanical aids available where required? i.e. lifting stands, forklifts, scissor lifts or cranes	
4	Are correct lifting techniques being practiced by installers? i.e. a lifting device is used for doors over 2.5m	
5	Is the top rung being avoided during use of ladders?	
6	Are ladders correctly placed and used during installation?	
7	Are correct techniques used for ropes and temporary fastening operations?	
Safety Equipment		
Checklist item	Yes/No	Correction
1	Are installers wearing the appropriate PPE?	
2	Are the operator manuals being followed?	
3	Are appropriate noise/hearing protection being used?	
4	Is everyone involved supplied with appropriate fire protection in the case that flammable liquids or materials are removed from the work area?	
Spring Tension		
Checklist item	Yes/No	Correction
1	Is the door correctly secured and in the up and open position?	
2	Is the stilsons fitted correctly to the axle and locked off against a wall?	
3	Are the stilsons of an adequate length?	
4	Are the correct nuts and bolts tightened and loosened to ensure the control of the tension of the spring to avoid any unexpected release of the spring?	
5	Are body parts i.e. arms and head, clear of the stilsons at all times?	
Door Position		
Checklist item	Yes/No	Correction
1	Has the door been fastened to the bracket on both ends using appropriate fixings?	
2	Are people safely maneuvering around the door while it is sitting on the brackets?	

PRE-INSTALLATION CHECKS

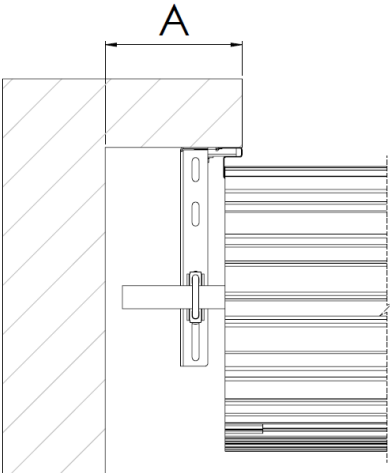
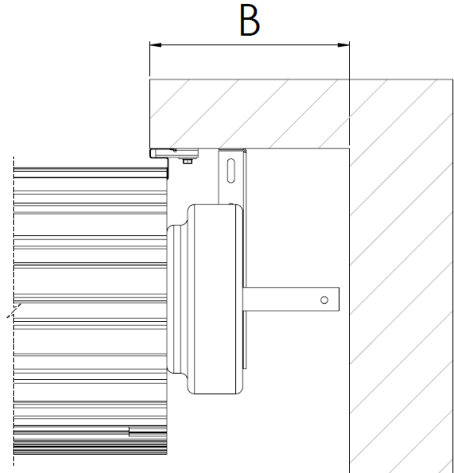
REQUIREMENTS

A roller door is designed to be fitted behind the opening and the following dimensions and conditions need to be checked before fully unpacking the door for installation.

OPENING WIDTH

Check that the curtain is wider than the opening by a minimum of 25mm each side – 50mm overall.

SIDE CLEARANCE

Door Type	Minimum Non-Drive Side Dim. 'A'	Minimum Operator/Gear Driven Side Dim 'B'
Series 'A'	90mm	120mm
		

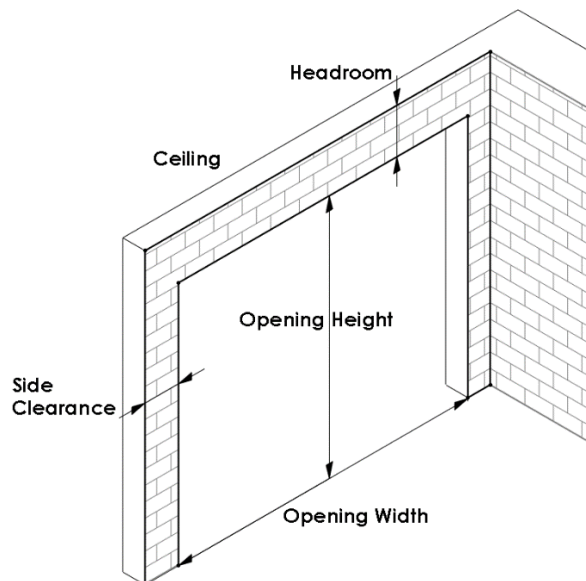
NB: If the door is to be motorised, check with the motor installation instructions for side room required for the motor.

HEADROOM

A minimum clearance between the underside of the lintel/headroom and the ceiling. This varies with the height of the door. See chart below.

Door Height (mm)	Minimum Headroom* (mm)
1200 – 2200	430
2200 – 2600	480
2700 – 3300	510

*This clearance must extend for a minimum of 500mm horizontally back from the opening. The minimum headroom is required to reveal the complete daylight opening height. Fitting a door where less than the recommended headroom is supplied will result in less drive-through height.



STRUCTURAL CONDITION OF OPENING



IT IS THE INSTALLER'S RESPONSIBILITY TO ENSURE THAT THE AREA AROUND THE OPENING IS STRONG ENOUGH TO SUPPORT THE DOOR.

The lintel and jamb surfaces where the door is to be fitted to must be flush and reasonably smooth (small irregularities are acceptable).

FITTING NOTES

- a) For doors over 2.5m wide, it is recommended that two people are available for fitting.
- b) **The door must be installed SQUARE AND LEVEL irrespective of the shape of the opening. Under no circumstances should any compensation be made to the door to suit an irregular opening.**
- c) Ensure that all necessary tools are available at hand before starting.
- d) Ensure the area around the opening is free of any obstructions.
- e) The door package and its contents should be checked for obvious damage before removal of wrapping.
The package should contain (see Appendix A for parts list):
 1. The curtain rolled up and wrapped.
 2. One pair of guides – these come in standard length.
 3. One pair of 'Bk2' brackets.
 4. One blue bag containing the hardware required to fit the door.

NB: Some of the hardware fixing supplied may not be suitable for fixing curtain brackets to opening substrate. The installer should select suitable fixings to suit substrate and curtain size and weight.

IF THERE IS ANY OBVIOUS DAMAGE OR PARTS MISSING, CONTACT YOUR STEEL-LINE SUPPLIER.

INSTALLATION



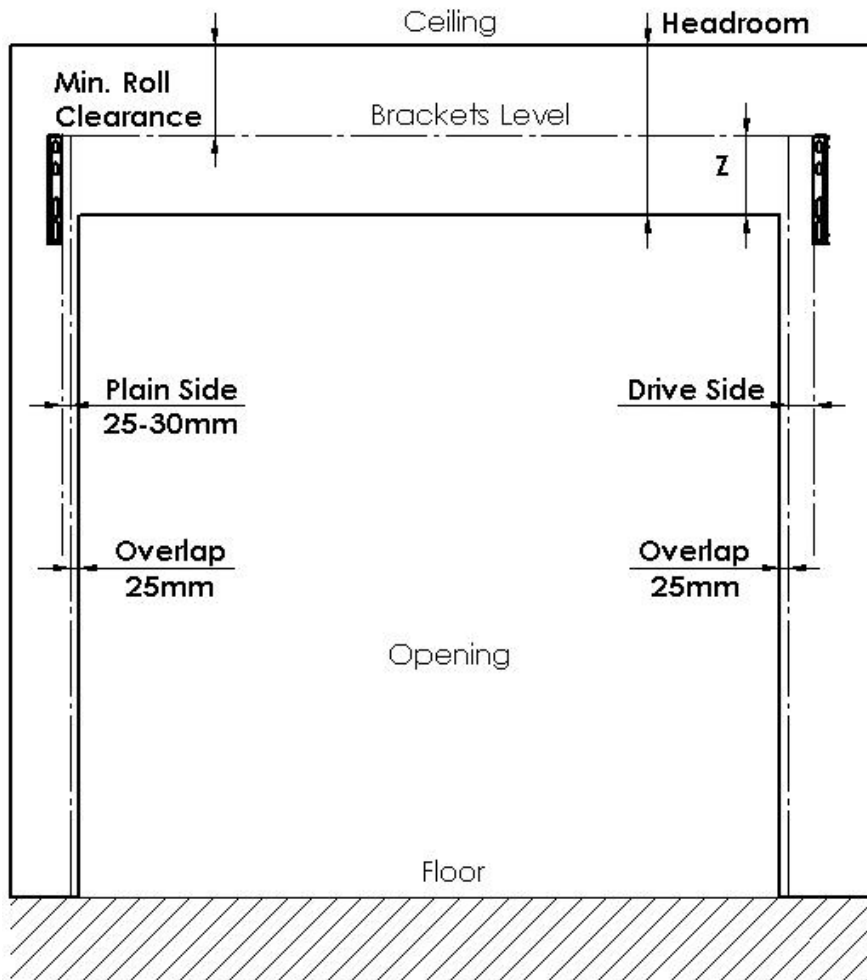
DO NOT CUT PACKAGING AROUND ROLLED CURTAIN UNTIL INSTRUCTED TO DO SO IN STEP 6.

1.0 MARK DOOR POSITION

1. Mark the curtain **overlaps** 25mm at each side of the opening.

2.0 INSTALL BRACKETS

1. Use the appropriate fixings to suit the opening substrate.
2. For motorised doors, check the motor instructions for the dimensions required from the edge of curtain (curtain overlap) to the inside of the bracket.
3. Fit the brackets and ensure the minimum clearance for plain side and drive side.
4. Use a levelling device to ensure that the brackets are level with each other and use appropriate fixings.
5. Re-check level and fix both brackets securely.
6. The minimum dimensions from the lintel to the top of the bracket is as follows:



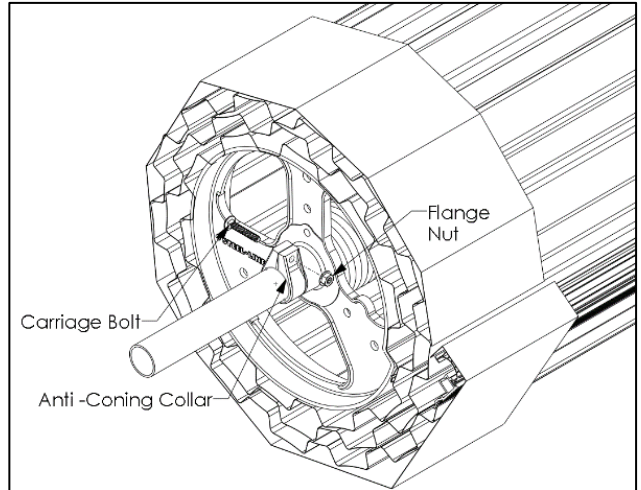
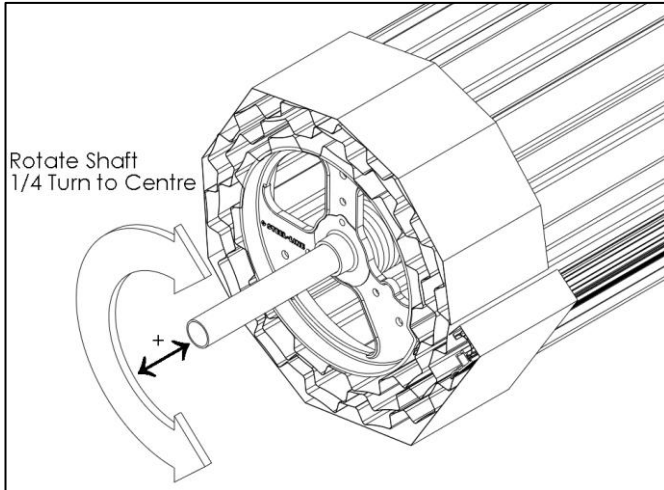
Specified Door Height (mm)	Minimum Roll Clearance (mm)	Dim. 'Z' Minimum Distance from Underneath Lintel to Top of Bracket (mm)
1200 – 2100	235	195
2200 – 2600	260	220
2700 – 3000	275	235

3.0 FIT DRIVE UNIT

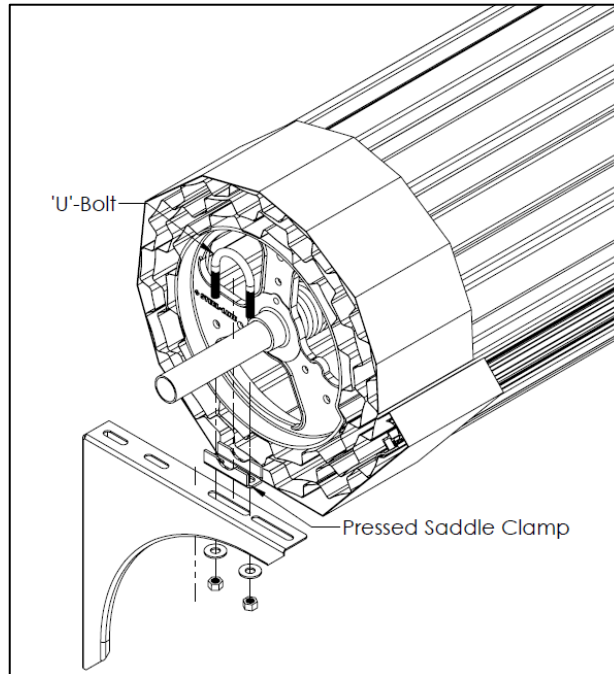
Fit the motor to the door according to the instructions provided if required.

4.0 MOUNT DOOR CURTAIN TO BRACKETS

1. Ensure there are no loose parts or packaging inside the door.
2. Float the shaft by rotating in either direction then releasing.
3. Fit anti-coning collar on the non-drive side of the door leaving a 1mm gap between the collar and drum wheel.



4. Check if shaft length has no interferences and fits within the side clearances. Trim the shaft if necessary.
5. Position the pressed saddle clamp on top of and in-line with the slots on the bracket.
6. Position the door to ensure the sheet unravels adjacent to the opening and lift door onto brackets.
7. Secure the pressed saddle clamps with the provided U-bolts and nuts finger tight only.



DO NOT USE BRACKET AS A LIFTING DEVICE AS IT IS NOT DESIGNED FOR LIFTING

5.0 CUT AND POSITION GUIDES



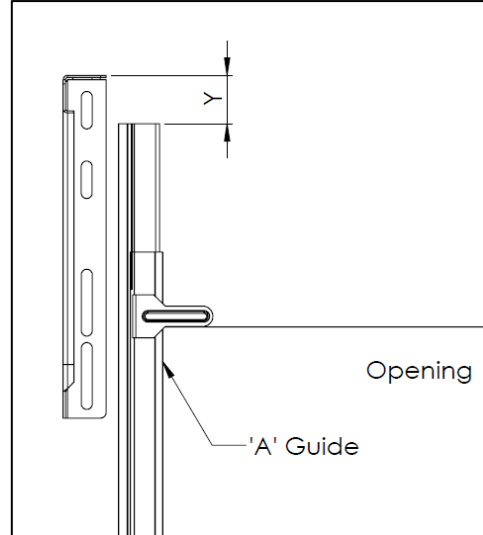
BEFORE GUIDES ARE FITTED, BE VERY CAREFUL NOT TO ALLOW CURTAIN TO ROLL UP UNAIDED AS DAMAGE AND INJURY MAY RESULT.

1. Cut the guide at the bottom to the opening height +190mm.

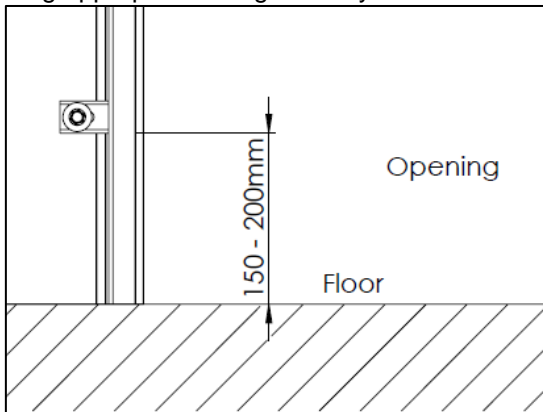
Note: if the brackets are fixed higher than the minimum Dim. 'Z', ensure the guide is cut in relation to the bracket to the minimum dimension Y.

Specified Door Height (mm)	Min. Dimension 'Y' between top of the bracket to the top of the guide (mm)
1200 – 2100	5
2200 – 2600	70
2700 – 3000	85

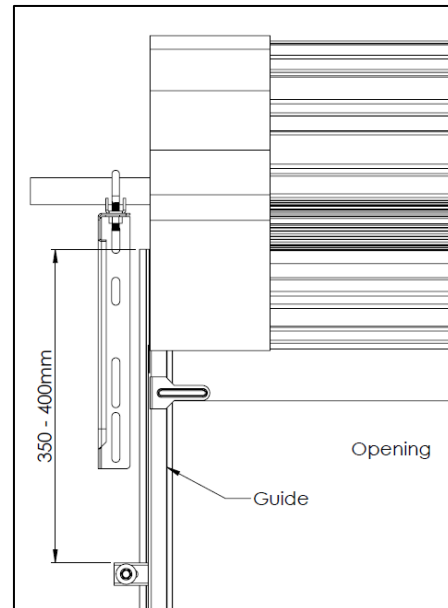
2. Bend the lead-in at the top of the guide and insert the curtain into the top of the track.



3. Locate the first cleat in the guide approximately 150-200mm from the floor and fix to the substrate using appropriate fixings loosely.



4. Loosely fix the top cleat 350-400mm from the top of the guide.



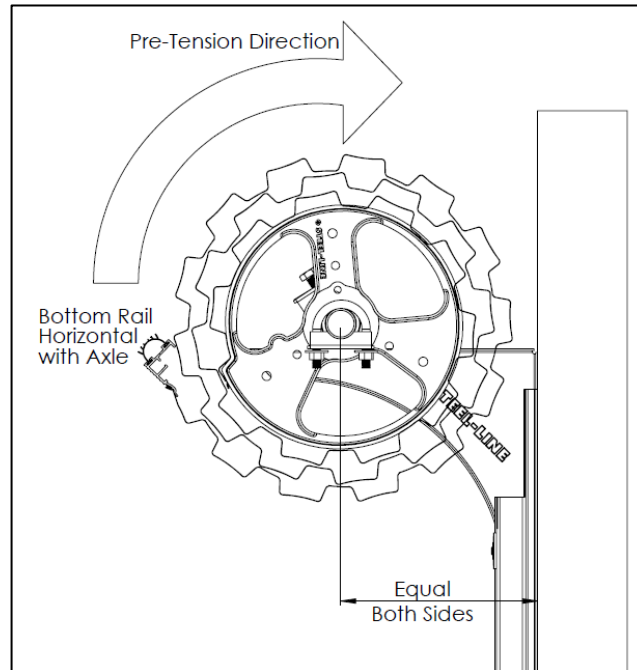
5. Position the guide ensuring it is vertical and does not interfere with the curtain.
6. Fix all subsequent cleats with even spacing between the top and bottom cleats and secure all tightly.



THE EXTREME TOP EDGE OF THE GUIDE MUST NOT BE HIGHER THAN THE HORIZONTAL LEG OF THE SUPPORT BRACKETS TO ENSURE PROPER OPERATION.

6.0 POSITION THE DOOR

1. Ensure the curtain overlaps the opening equally on both sides. If not, centralise door by rocking back and forth ensuring the nuts are still secured finger tight only.
2. Rotate the rolled door in the direction shown until the bottom rail is level with the shaft.
3. Tighten the saddle clamp nuts on both sides.
4. If an operator drive unit has been installed tighten the fixings and disengage the drive for manual operation.
5. Pre-tension the door by rotating in the same direction as shown in the figure by $1\frac{1}{4}$ to $1\frac{3}{4}$ turns.

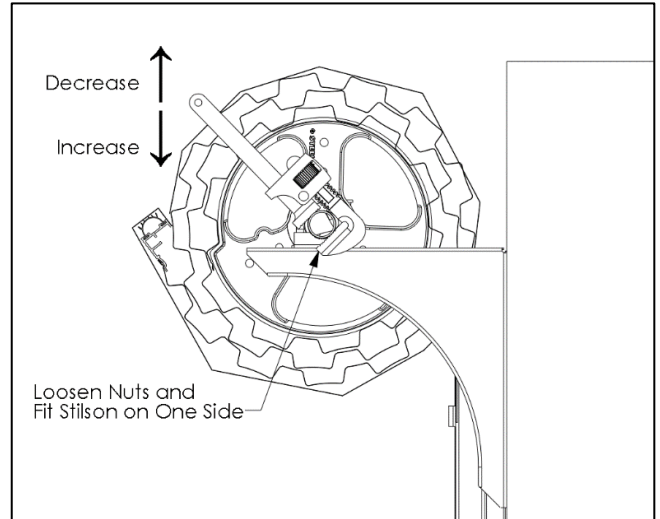


6. While holding the wrapped curtain, carefully cut and remove the packaging and slowly pull the curtain into the guides, removing any cardboard and tape.
7. Carefully re-roll the curtain ensuring the bottom rail stays horizontal, leaving 500mm unrolled.
8. For drive operated doors, lock off the motor.
9. For manual doors fit a soft wood chock (300-400mm long) between bottom rail and door roll to prevent door from winding back up.
10. Secure the guide at the top slot allowing approximately 2-3mm running clearance per side from the edge of curtain.
11. Lower the door and position the guide maintaining the clearance and secure at the bottom slot.
12. Remove any excess packaging and check the door runs freely to the floor, if not reposition guides as required and secure at the slots.
13. Use appropriate fixings to secure the guide to the jamb along the v-groove at 400mm intervals.

7.0 ADJUST DOOR TENSION

The initial door tension on the springs may either be too great or too little, making the door feel either light or heavy. Ideal tensions make the door a little heavy in the down position ensuring it stays down and a little light in the up position ensuring it stays up. **Two people are required to adjust the tension.**

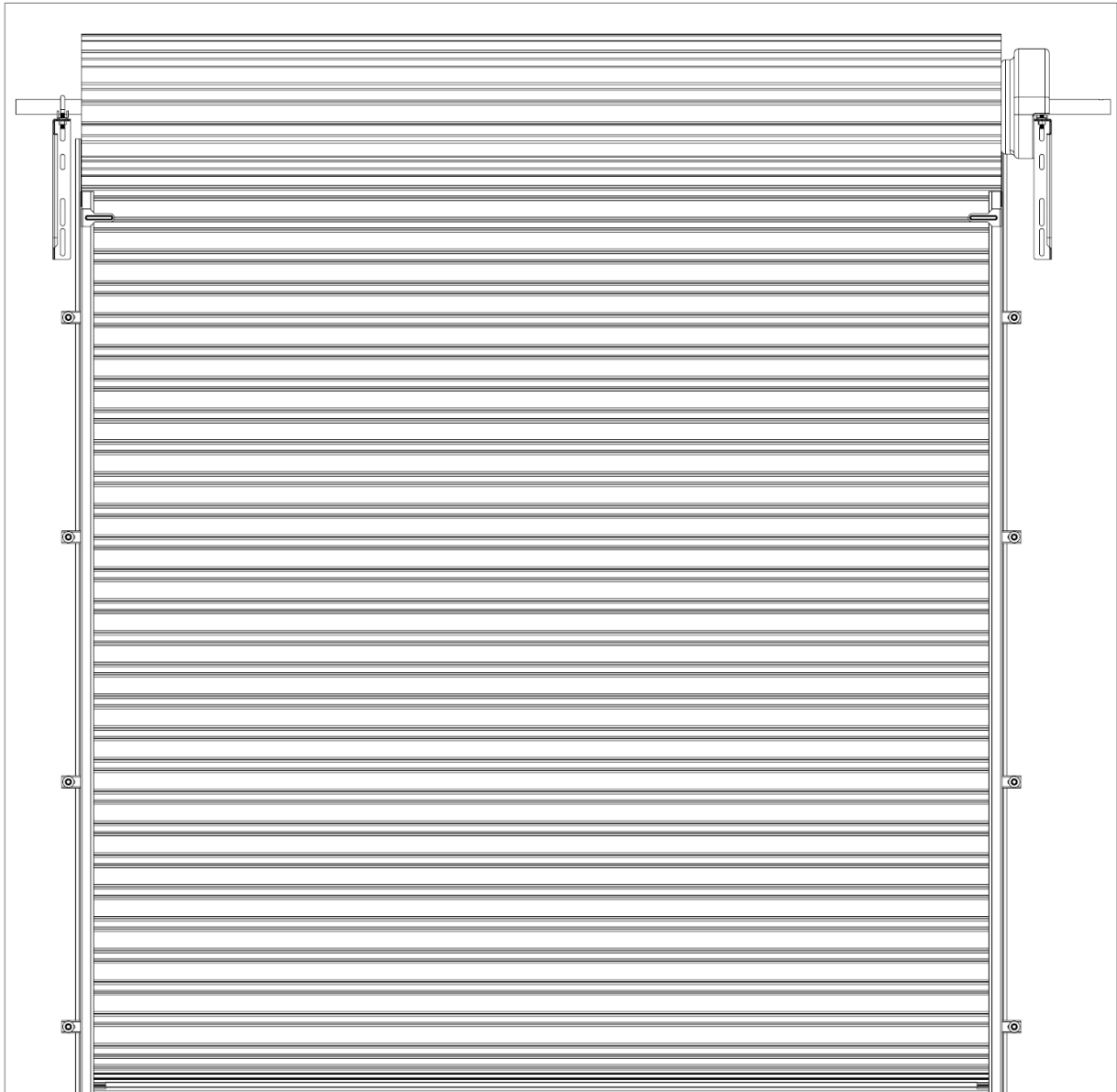
1. **Door must be fully open (up)** for one side to retain spring tension.
2. Roll up the door and tie a rope or strap around the door in the centre to prevent the door from accidentally running down.
3. Loosen the saddle bolts on one side and fit a set of 'stilsons' to the axle on this end. The axle will try to turn in the direction that decreases tension.
4. While holding the stilsons firmly, have your assistant loosen the nuts of the saddle bolts on the other side.
5. Increase or decrease tension as required by rotating the axle a quarter of a turn at a time.
6. Your assistant can now tighten the nuts on the other side.
7. When tight, tighten the bolts at your side as well and then remove the stilsons.
8. Carefully try the door again. It may be necessary to repeat steps 3-6 several times until the tension is correct.



NEVER ALTER DOOR TENSION UNLESS THE DOOR IS FULLY OPENED AND SECURED WITH A ROPE. WHEN ADJUSTING TENSION, NEVER STAND CLOSE TO AND IN LINE WITH STILSONS. KEEP HEAD AND BODY AWAY FROM THE STILSONS.

8.0 CONFIRM DOOR OPERATION

Operate the door several times and confirm that it runs smoothly.



POST INSTALLATION

1.0 DIFFICULT TO OPERATE

- Decrease or increase spring tension (see step 7.0, P11)
- Check curtain isn't jamming in the guides
- Check running clearance in guide is ($\approx 2\text{mm}$ per side)
- Check guides are upright and clean. Do not lubricate, if cleaned ensure guide is dry before door operation

2.0 DIFFICULT TO CLOSE OR OPEN

- Decrease OR increase spring tension (see step 7.0, P11)

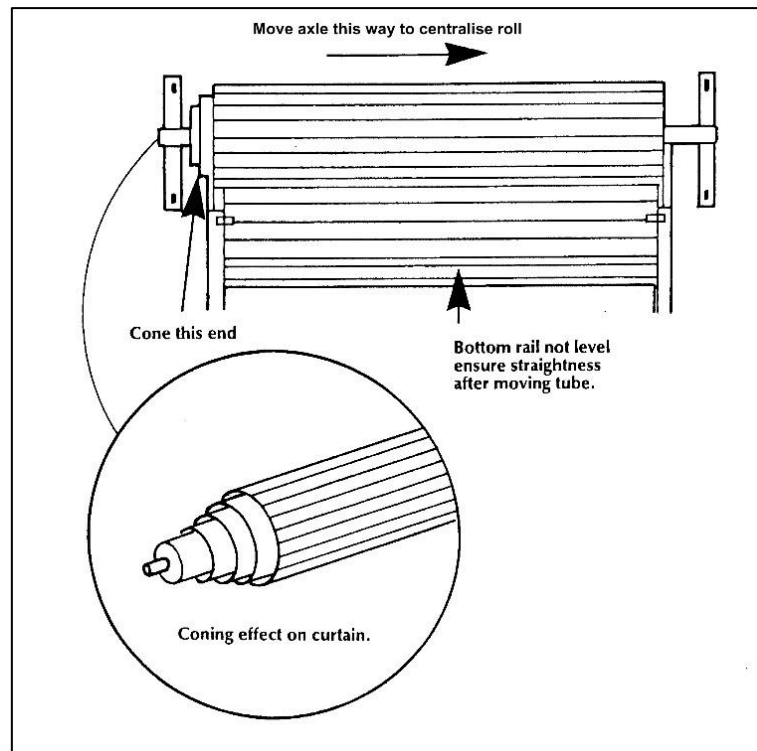
3.0 GUIDE/SHAFT RELATIONSHIP

If the door is very difficult to close the last 600mm, check the guides are fitted in correct relationship to the brackets and that the axle is the correct distance from the wall (210 – 250mm) (see step 7.0, P11)

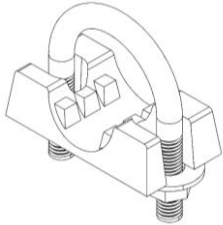








4.0 CONING

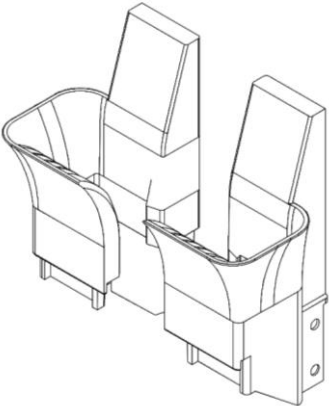
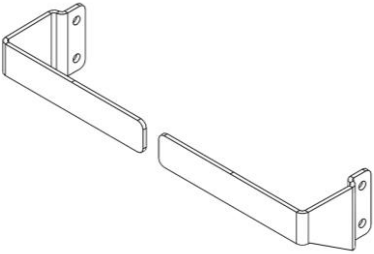

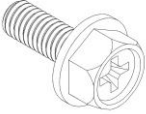

If the curtain rolls up un-evenly (cones out at one end) and the bottom rail appears out of parallel with door roll and guides, confirm the following:

- Brackets are level with each other
- Axle is correctly centralised in roll (see step 4.0). If brackets are level, removing coning by moving the axle through the roll in the opposite direction to coning and distance roughly equal to length of coning.



APPENDIX A

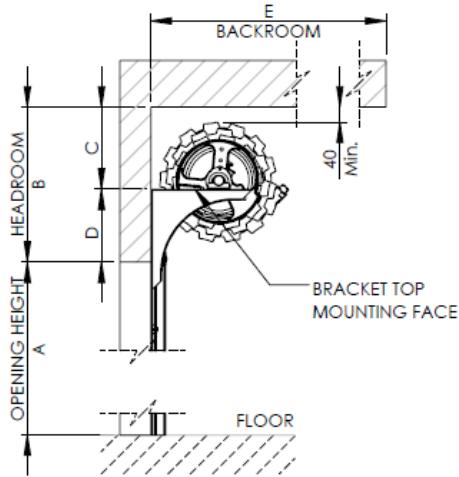
BoM for Steel-Line Roller Door Hardware Boxes				
PICTURE	DESCRIPTION			Yellow 'AA' QTY.
		CAST SADDLE CONFIGURATION	'U'-BOLT	
CAST SADDLE			1	
3/8" HEX NUTS (GRADE 8.8)			2	
3/8" WASHER			2	
	5/16" – 9x2" LAG SCREW			24
	5/16" FLAT WASHER			24
	NYLON PLUG A10x50			24
	ANTI-CONING COLLAR CONFIGURATION	ANTI-CONING COLLAR	1	2
		NUT	1	
		CARRIAGE BOLT	1	
	1/4"-20x1 1/2" TEK SCREW			18
	5/16" – 18x18 HEX HEAD MACHINE SCREW			6
	5/16" – 18 HEX NUTS			6
	AA/B DOOR-STOP CONFIGURATION	AA/B DOOR-STOPS	1	2
		1/4"-20x1" CUPHEAD BOLT	1	
		FLAT WASHER	1	
		NYLOC NUT	1	

BoM for Steel-Line Roller Door Kit Boxes		
PICTURE	DESCRIPTION	'AA/B' Lead-in Kit Box QTY.
	AA/B DOOR NYLON LEAD-IN PAIR (LHS & RHS)	1
	AA/B STOPPER PAIR (LHS & RHS)	1
	#8 – 1½" PAN HEAD PHILLIPS DRIVE SELF TAPPING SCREW	2
	M6x12 PAN HEAD MACHINE SCREW	4
	16x3mm TAPPED PLATE	2

APPENDIX B

STEEL-LINE SERIES A STANDARD ROLLER DOOR

Elevation View



For curtain widths up to 3430mm (max ht. 3000)

Minimum dimension (mm)

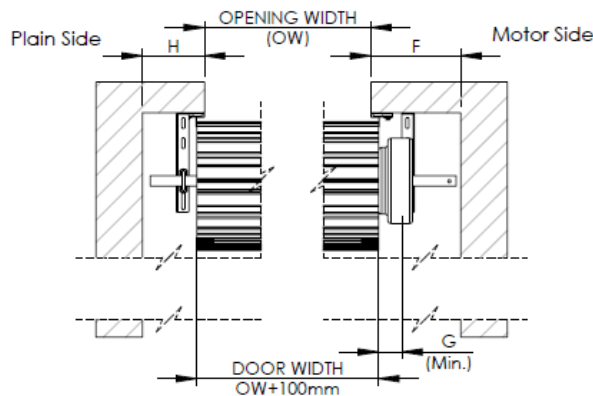
Dim'A'	1200 - 2100	2200 - 2600	2700-3000
Dim'B'	430	480	510
Dim'C'	235	260	275
Dim'D'	195	220	235
Minimum backroom required (mm)			
Dim'E'	450	500	530
Minimum side room for operator (mm)			
Operator:	RD 800	RD 1200	
	(max. 18m ²)	(max. 25m ²)	
Dim'F'	120	120	
Dim'G'	45	45	

Minimum side room for plain side

40mm angle bracket

Dim'H' 105

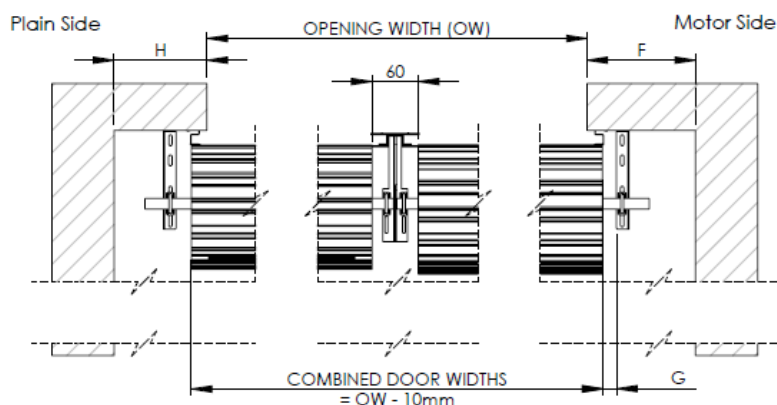
Plan View



Notes:

1. Top mounting face of the wall bracket should be level with the top of the track lead-in or higher. Values in the tables indicate the minimum space required. If there is insufficient headroom at the site, the bottom of the curtain roll may infringe the height of the opening.
2. Other brands of openers may increase/decrease side room noted above. Please refer to motor's owners manual for clearance/s required.
3. Additional clearance may be required for the opener if drum is on the edge of the curtain.

Plan View Mullion Pair



STEEL-LINE GARAGE DOORS HAS A CONTINUOUS PROGRAM OF PRODUCT DEVELOPMENT AND RESERVE THE RIGHT TO CHANGE SPECIFICATIONS AT ANY TIME WITHOUT NOTICE.