



SC2000 Hingeway Counterweight Balanced Door

FEATURES

- MINIMAL INTERNAL PROJECTION
- HIGH TRAFFIC AREAS
- CUSTOM BUILT FOR ALL STRUCTURAL REQUIREMENTS AND ARCHITECTURAL DESIGNS
- CLADDING VERSATILITY
- MINIMAL MAINTENANCE REQUIREMENTS

The SC2000 Hingeway Counterweight Balanced Door is custom made and designed for all applications where security and superior appearance is required and openings designed to span as little as 1 metre to as much as 10 metres in width if required (for wider openings please refer SC3000 Foldaway Counterweight Door) with minimal internal projection and requires little headroom.

The main benefits of the SC2000's Hingeway Counterweight Balanced Door is that it achieves the lowest maintenance with the highest operation cycles, able to be designed in a variety of cladding and glazing types.

The SC2000 is commonly used in the industrial, commercial and domestic markets offering an architecturally contemporary appeal which allows natural light in or bringing the outside in.

With Steel-Line's custom made operating mechanism over 100,000 cycles are easily obtained per year, which is by far the lowest maintenance with the highest operational cycles of any conventional door system in Australia. All Steel-Line's counterweight doors are designed to withstand site specific wind loading in accordance to AS1170.2-2002. If wind loads are not provided, the standard industry 0.5 Kpa is used.

Recommended Specification

SC2000 is custom built for each specific application. Please contact Steel-Line for any technical assistance in design and installation. Listed below are some of the main design considerations when specifying the SC2000:

- Operational Requirements.
- Opening Dimensions.
- Structural Requirements.
- Architectural Requirements.

Therefore it is important to accurately measure the opening dimensions and adequately specify any requirements.

Opening Requirements

The SC2000 Hingeway Counterweight Balanced Door requires operational clearances as well as permanent space for its accommodation. These dimensions vary depending on the application. It is important to take these in to consideration especially the operational clearances as they impinge on other design criteria, for example the drive through clearances.

Motorisation

Motorisation requires the addition of:

- Motorisation Guides.
- Drive Unit, Including Torque Limiter.
- Independent Limit Switches.
- Overhead Shaft.
- Control System.

When a motorised door is ordered the above mentioned items are included as they are all integral components of the door. Motorisation may be fitted to an existing manual door however this may require extensive modification.

Locking

Locking is normally provided on manual operated doors only. Pad bolts are fitted internally to allow the door to be latched in the closed position. These can be fitted with padlocks for additional security.

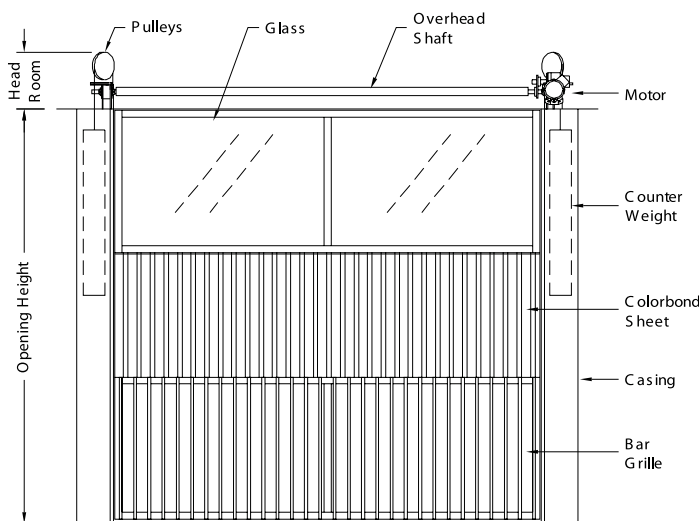
Locking for motorised doors is usually locked via the motor however additional security is available, for example electric or magnetic locks.

Cladding / Glazing

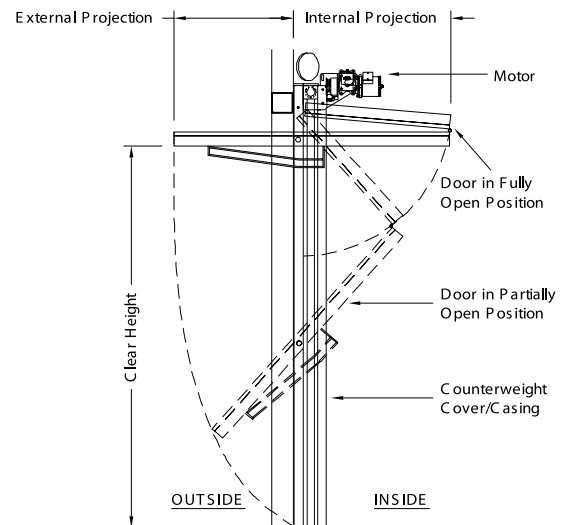
Being a counterweight balanced door the SC2000 Hingeway Counterweight Balanced Door can be designed to accept a wide variety of cladding and glazing materials.

The following combinations of glazing and cladding are quite common:

- Sheeting products such as Trimdek and Custom Orb.
- Toughened Laminated Glass.
- Polycarbonate, Acrylic, Perspex and Laserlite etc.
- Aluminium Composite Panels (ACP)



ELEVATION (View Inside Looking Out)

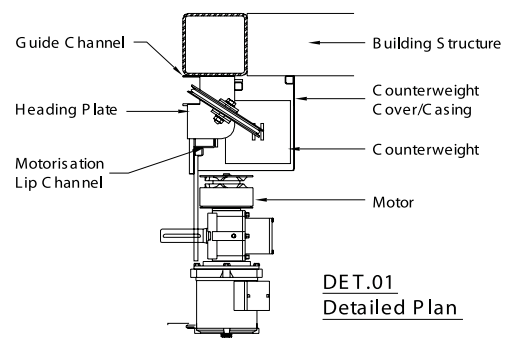


SECTION VIEW



PLAN VIEW

DET.01



DET.01
Detailed Plan

Steel-Line reserves the right to change specifications at any time without notice.