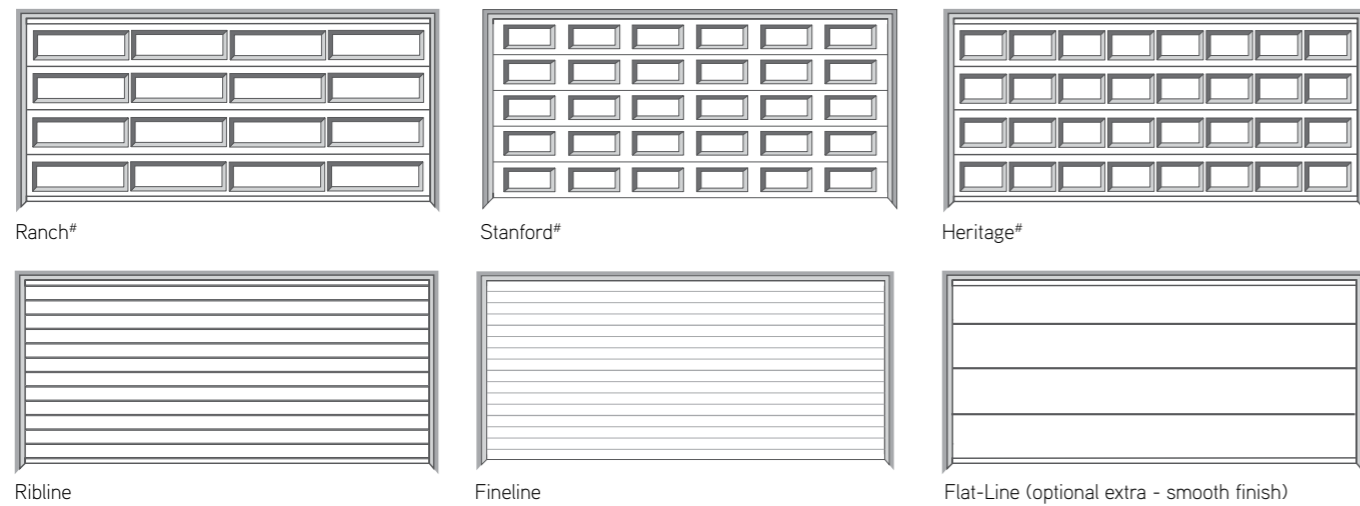


## COLOUR



**Please note:** Classic Cedar®, Caoba® and Perisher White are charged at a premium cost. All colours shown in this chart are a guide only. The limitations of printing processes make extremely accurate matches impossible. We strongly recommend comparing your choice with actual samples. We reserves the right to vary or delete colours without notice.

## PROFILE - ALL SUPPLIED WITH WOODGRAIN EMBOSSING



# Windows can be fitted to Stanford, Ranch or Heritage designs in standard Colorbond® colours, excluding Classic Cedar® and Caoba®. For more details, please contact your Product Consultant.

## QUALITY, SAFETY AND SECURITY FEATURES



**STRONG HINGES**  
Hinges made from steel for superior strength and trouble free operation



**FINGER PROOF SAFETY**  
Our sectional doors feature a curved finger proof joint for added safety.



**HEMMED EDGES**  
Truly finger safe door, inside and out



**FULL BEARING NYLON COATED ROLLERS**  
Gives smooth quiet operation

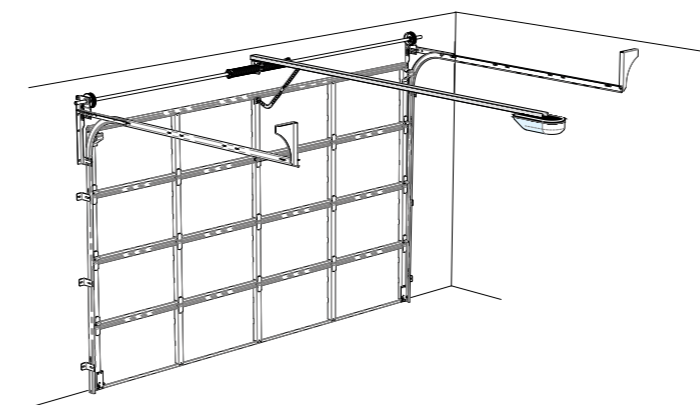


**GARAGE DOOR OPENER**  
A small additional investment for greater convenience

# COLORBOND® SECTIONAL DOORS



## TYPICAL INSTALLATION



**STEEL-LINE**  
GARAGE DOORS

Call 1300 427 243 | [steel-line.com.au](http://steel-line.com.au)

**Manufacturers of Quality Garage Doors**  
WHEN YOU WANT THE VERY BEST • QUALITY • FUNCTION • DESIGN,  
SPECIFY A STEEL-LINE GARAGE DOOR

**Showroom:** 62 Triumph Avenue, Wangara, 6065 WA





▲ FINELINE PROFILE Sectional Door



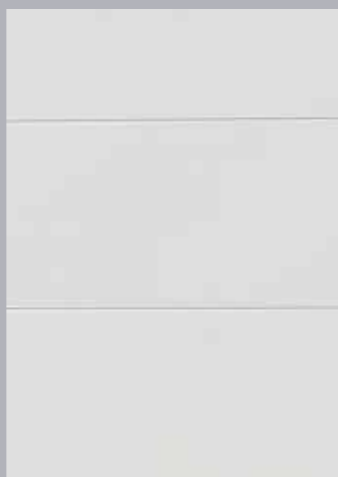
▲ RANCH PROFILE Sectional Door



▲ RIBLINE PROFILE Sectional Door



▲ STANFORD PROFILE Sectional Door *(shown with optional 6 Set Sunrise Windows)*



▲ FLATLINE PROFILE Sectional Door



▲ HERITAGE PROFILE Sectional Door