



SD800



DOOR TYPES: Residential Sectional Doors **DOOR SIZE:** Up to 12m²

The SD800 has been engineered to the highest standard and utilises proven technology coupled with high quality features as standard to ensure reliable, safe and quiet operating performance year after year.

KIT COMPONENTS

1 x Powerhead & belt rail

3 x Four channel key ring mini-transmitters



SPECIFICATIONS

- 24V DC motor type
- Electrical Input: 240V, 50Hz
- Rated door area up to 12m²
- Max door weight up to 110kg
- Max peak pulling force: 800N
- One piece C-rail with belt drive
- 433.92 MHz transmitter frequency
- Courtesy light: LED
- Headroom: 50mm more than minimum headroom required for door

KEY BENEFITS



Quality Tested

Proven Technology coupled with robust design backed up by rigorous quality testing (Batch tested to 20,000 opening cycles).



5 Year Warranty

5 year motor warranty, 2 year electronics warranty.



Australian & NZ Standards Compliant

Meets AS/NZ 60335-2-95 & RCM (Regulatory Compliance Mark) accredited.



Motor

Powerful DC motor which means reduced noise and vibration on opening and closing.



Soft Start/Stop Function

Designed to ensure smooth and quiet door operation which is important when the garage is located close to bedrooms or living areas.



LED Courtesy Light

This provides the most convenient way to navigate through your garage environment and get in and out of your car (operates for 6 minutes).



Transmitter Range

Remote distance: Effective operating range of up to 35m.

STANDARD SAFETY FEATURES



Auto Safety Reverse

If an obstruction occurs during closing of the door this function causes the garage door to immediately stop and reverse direction upon contact with the obstruction.



Auto Sensing Force

During operation the force required is constantly monitored and adjusted to ensure economical operation and reduced wear and tear.



Digital Limit System

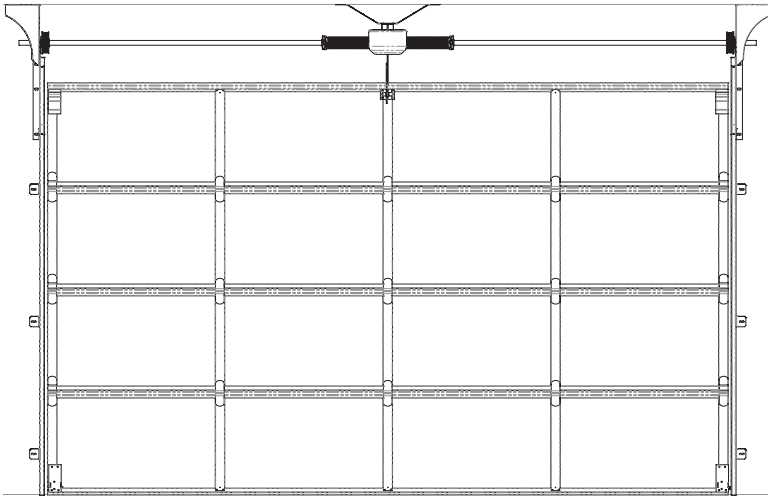
Equipped with digital limit system for ease of programming during installation.



Manual Release

In case of power failure you can simply activate the manual release to open your garage door.

SD800



Max door height: 2.5m, Max door weight: 110kg, Max door area: 12m²

DOOR OPENING AND CLOSING TIMES



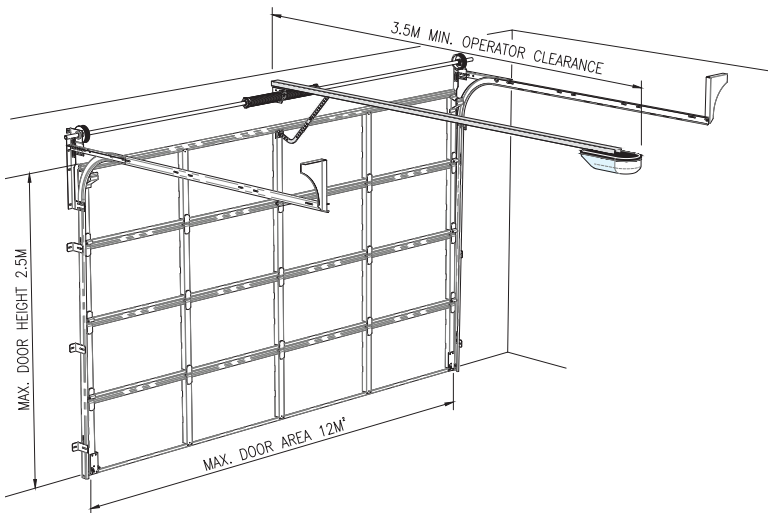
16 seconds



18 seconds

(based on a 2.3m high door)

TYPICAL INSTALLATION - SECTIONAL DOOR



OPTIONAL EXTRAS



Photo Eye' Technology

For added safety, this allows the garage door to automatically reverse when its sensory light beam is broken by an obstruction, helping to protect your family from injury and your car from damage caused by contact.



Emergency Key Release

Used in case of malfunction or power failure, especially useful if there is no other access to the garage.



Extra Handsets

A must for every set of keys in the household – a maximum of six handsets can be coded for this purpose.

STANDARD INSTALLATION

Maximum Door Height	Minimum Operator Clearance
2.5m	3.5m



Call 1300 427 243 | steel-line.com.au

Proudly distributed by: